



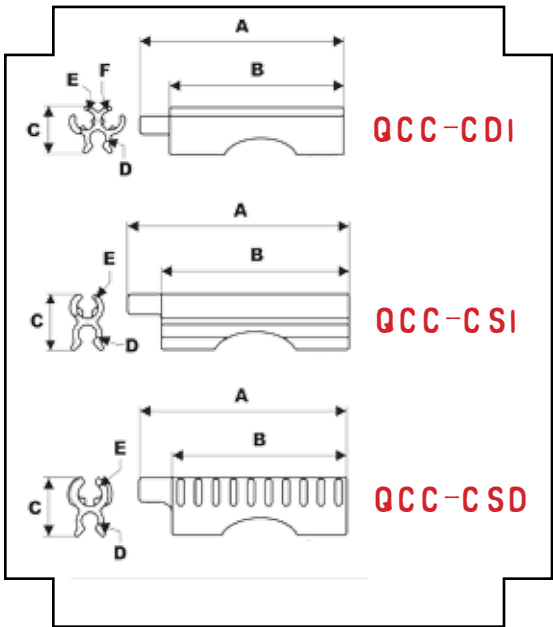
# QCC

## QUICK CAP CONNECTOR

- Field Expedient adaptors to be utilized with Modernized Demolition Initiations (MDI)
- Chemical resistant material
- Color and texture coded for easy identification in the field.
- Small form factor for easy use and storage
- Quick-Tie compatible for greater strength

QCC Quick Cap Connector		Part Number
Description	Color	
QCC-CDI	Beige	113-0471
QCC-CSI	Green	113-0384
QCC-CSD	Black	113-0385

Dimensions					
A	B	C	D	E	F
2.47	2.09	0.57	R 0.10	R 0.12	R 0.12
2.39	2.00	0.60	R 0.10	R 0.12	n/a
2.38	2.00	0.68	R 0.10	R 0.14	n/a



It is the responsibility of the customer to determine the suitability of ITW Nexus products for use in their particular application.